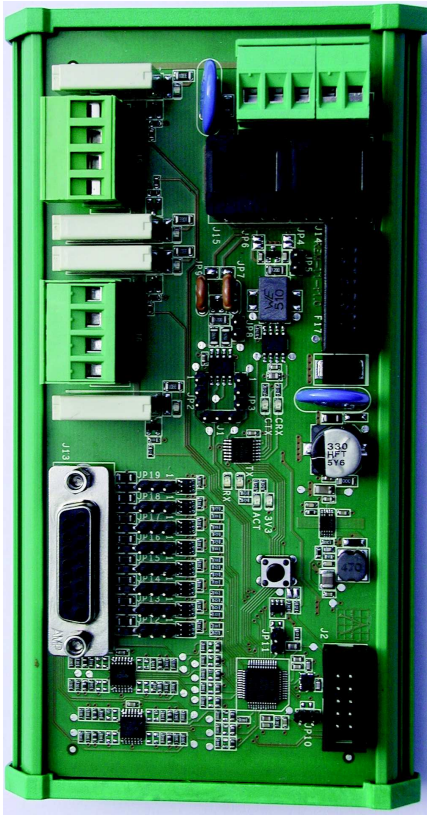


# REM-485-T1

## Plug In Digital Output Card



### GENERAL DESCRIPTION



REM-485-T1 module is an expansion unit for digital outputs connectable to a serial communication BUS

Each module receives from the central unit the Outputs configuration and sends as an answer the system status and the related Diagnostic.

REM-485-T1 unit features 4 SPST relays and 8 outputs Sink or Source to drive loads up to 1A @ 24 Vdc.

All the output lines are controlled by an advanced diagnostic function that controls in real time the load connected to the output.

The conditions of open circuit or short circuit are detected on every output.

The system can detect the status of a load before the circuit is energized thanks to the "Puls Test" function .

The "Puls Test" function verify the continuity of every output circuit including the power supply, the cabling, fuses, switches, terminals and output devices.

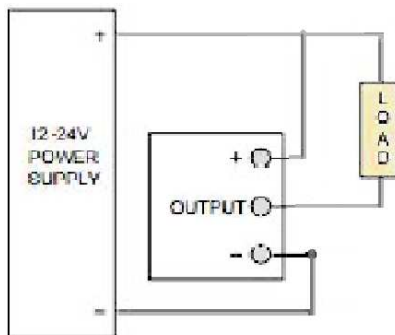
This function allows to detect many possible causes of fault before they can cause malfunction in the system increasing the system operational security.

The fault conditions can be reset from the control unit.

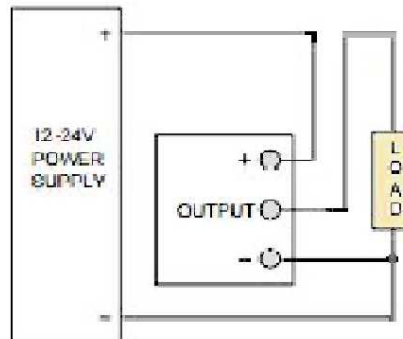
The Sink or Source output can be used to realise different configurations, single or redundant to realize systems with different ranges of security and reliability.

### Configurations on single output 1oo1:

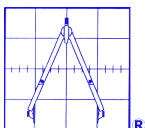
Configuration Single output Sink



Configuration Single output Source



Copyright Oggioni s.a.s.



**OGGIONI S.a.s.** Via Laboratori Autobianchi, 1 - P.T.B. Edif.13/O - 20832 Desio (MB) - Italy  
Tel.+39 0362 629135 Fax. +39 0362 622531 e-mail: [info@oggionisas.com](mailto:info@oggionisas.com) - [www.oggionisas.com](http://www.oggionisas.com)

## GENERAL SPECIFICATIONS

8 Configurable outputs monitored (Sink or Source) max.driving current 1A @ 24Vcc  
 4 Relays SPST max. switching current 3A @ 30Vcc.  
 Serial Bus RS-485 Modbus RTU or CAN BUS Open

## ENVIRONMENTAL SPECIFICATIONS

EMC	According to EN61000-4
Storage Temperature	-40 to 85 °C
Operating Temperature	-20 to 70 °C
Humidity Range	90% R.H. n.c.

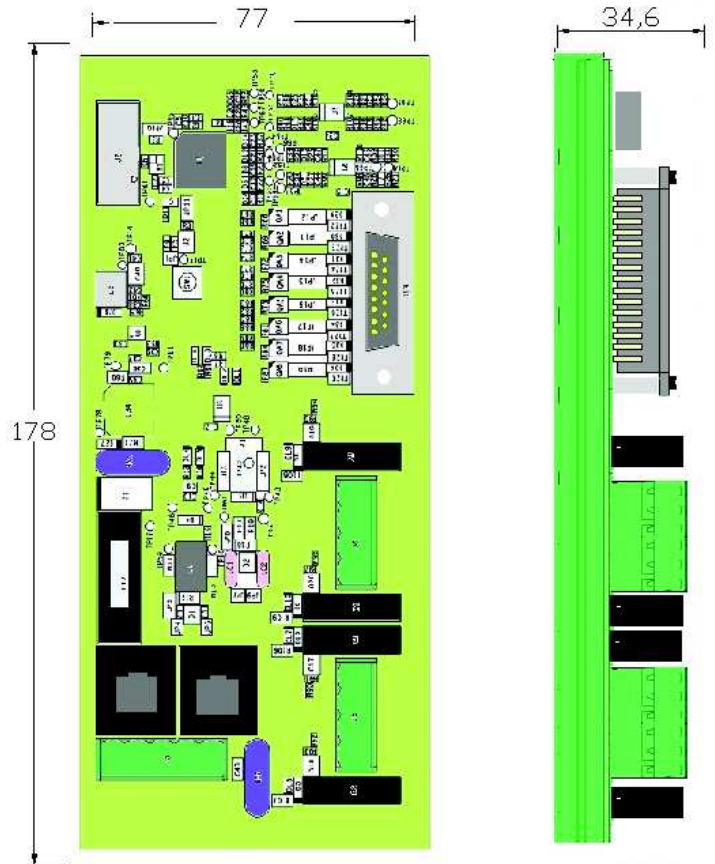
## MECHANICAL SPECIFICATIONS

Total Dimensions	178 x 77 x 34,6 mm
Mounting	Din 41612
Cabling	Removable Terminals AWG 26...14
Weight	0,4 Kg.

## ELECTRICAL SPECIFICATIONS

Power Supply	24 Vdc
Consumption	Max. 60mA @ 24Vdc
Power Fuse	1A
Overload Protection	± 50V

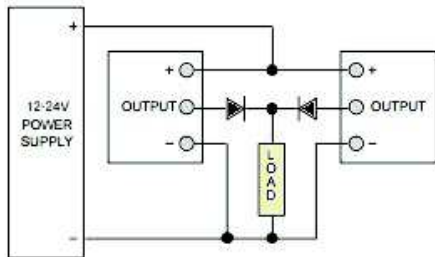
REM-485-T1 modules can be used in different configurations to realize redundant systems with high operational security.



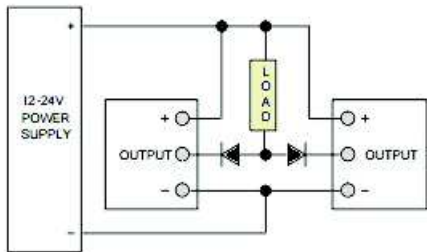
**Two points connected together to the same load:**

### Architecture 2oo2 :

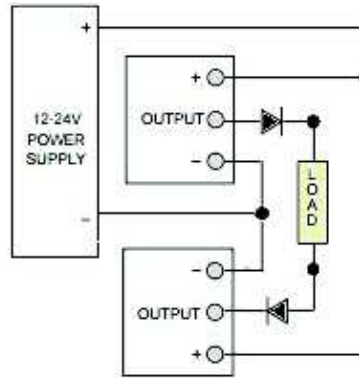
Source configuration



Sink Configuration



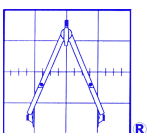
### Architecture 1oo2 :



Distributed by:

Copyright Oggioni s.a.s.

OGGIONI s.a.s. reserves the right to modify this document without prior notice.



**OGGIONI S.a.s.** Via Laboratori Autobianchi, 1 - P.T.B. Edif.13/O - 20832 Desio (MB) - Italy  
 Tel.+39 0362 629135 Fax. +39 0362 622531 e-mail: info@oggionisas.com - www.oggionisas.com