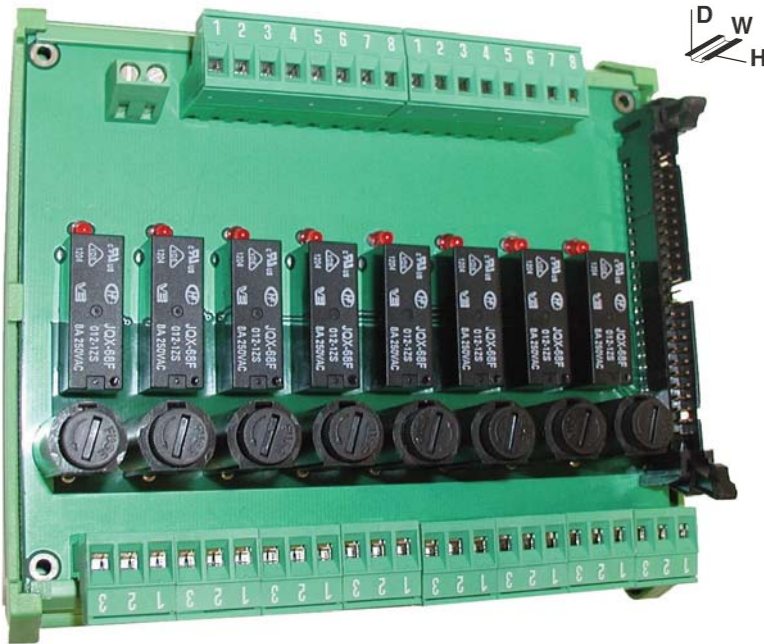


SC-8

12/24 V Plug-In Relays Card on DIN Rail Mount



GENERAL DESCRIPTION

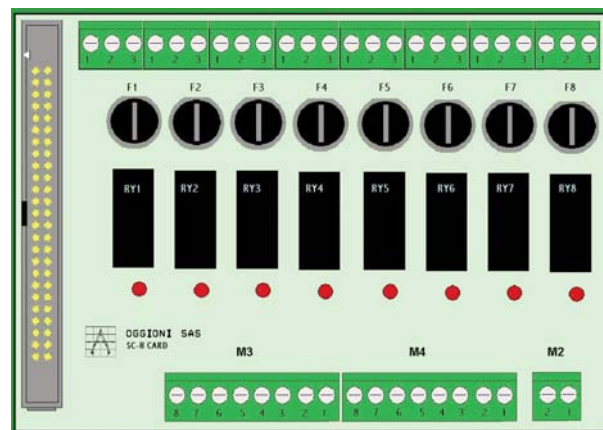
The SC-8 relay cards are designed to allow easy integration of relay to existing hardware. The input triggers can be either high or low for each relay and can operate with 0V, +12V/24V, O.C. and O.E. signals. Red LED Indicates Relay ON (Energized) status

Applications:

Network data acquisition systems and control
Building automation
Process monitor system
Security system

Specifications:

Operating Voltage 12VDC (or 24VDC)
Input low voltage (LO) 0 - 0.8V
Input high voltage (HI) 2.4 ÷ 12V (or 24VDC)



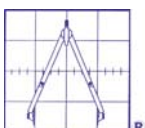
Connections:

M3	Power Connection
1	Relay 1 LO Input
2	Relay 1 HI Input
3	Relay 2 LO Input
4	Relay 2 HI Input
5	Relay 3 LO Input
6	Relay 3 HI Input
7	Relay 4 LO Input
8	Relay 4 HI Input

M4	Power Connection
1	Relay 5 LO Input
2	Relay 5 HI Input
3	Relay 6 LO Input
4	Relay 6 HI Input
5	Relay 7 LO Input
6	Relay 7 HI Input
7	Relay 8 LO Input
8	Relay 8 HI Input

M1A-H	Outputs
1	Normally Open Contact
2	Normally Close Contact
3	Common
M2	Common PWS
1	Ground
2	Common power supply

Copyright Oggioni s.a.s.



OGGIONI S.a.s. Via Laboratori Autobianchi, 1 - P.T.B. Edif.13/O - 20832 Desio (MB) - Italy
Tel.+39 0362 629135 Fax. +39 0362 622531 e-mail: info@oggionisas.com - www.oggionisas.com

GENERAL SPECIFICATIONS

8 x Contact Relays outputs
 Operating Voltage 12VDC (or 24VDC)
 Input low voltage (LO) 0 - 0.8V
 Input high voltage (HI) 2.4 ÷ 12V (or 24VDC)

ENVIRONMENTAL SPECIFICATIONS

EMC According to EN61000-4
 Storage temperature -40 to 85 °C
 Operating temperature -20 to 70 °C
 Humidity range 90% R.H. n.c.

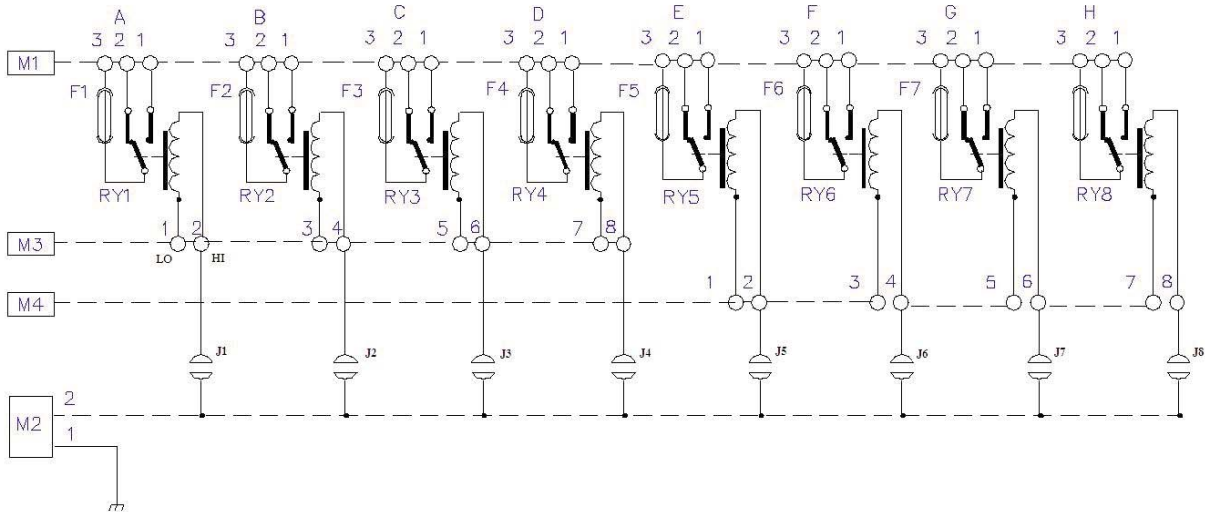
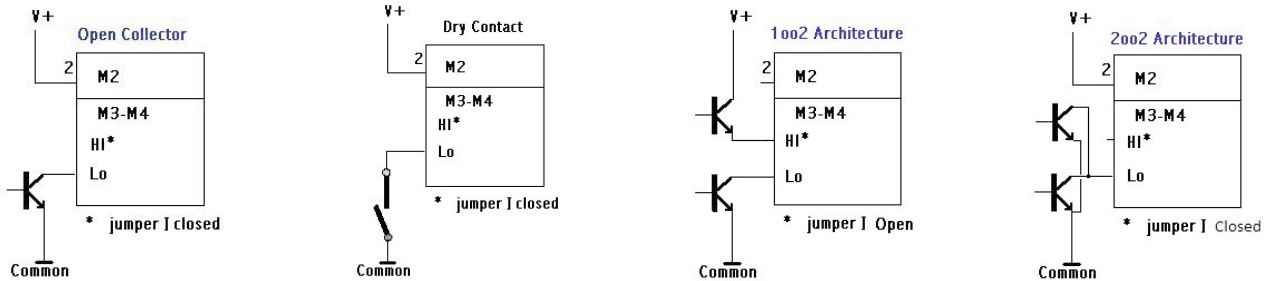
MECHANICAL SPECIFICATIONS

Overall dimensions 100 x 140 mm
 Mounting rails Din 41612
 Cabling Screw terminals AWG 26...14
 Weight 0,4 Kg.

RELAY SPECIFICATIONS

Max current: 8A@30 VDC; 8A@ 110 Vac
 Max VA (Watts): 1800VA (450W)
 Contact material: Silver Selenium Dioxide
 Coil resistance: 620Ω at 12V; 1280 Ω at 24V
 Max coil power: 220mw
 Insulation resistance: 1000MΩ@ 500Vac
 Dielectric strength (for 1 min):
 1000V AC between open contacts
 5000V AC between coil & contact
 Electrical life: 100,000 operations
 Mechanical life: 10 million operations
 A LED shows the state of each relay.
 The Relay Cards are available in 12VDC or 24VDC

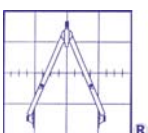
INPUT WIRING:



Distributed by:

Copyright Oggioni s.a.s.

OGGIONI s.a.s. reserves the right to change published specifications and designs without prior notice.



OGGIONI S.a.s. Via Laboratori Autobianchi, 1 - P.T.B. Edif.13/O - 20832 Desio (MB) - Italy
 Tel.+39 0362 629135 Fax. +39 0362 622531 e-mail: info@oggionisas.com - www.oggionisas.com